

## REPLACING ECO/TEMPERATURE LIMITER

**MODELS:** 1000P, 1600P, 1600H,  
260PN, 425PN, 425HN



### WARNING

LP & NG ARE EXTREMELY FLAMMABLE SO  
TAKE EXTRA PRECAUTIONS WHEN  
PERFORMING ANY WORK TO THE HEATER

The ECOs/temperature limiters are overheat protection sensors that will shut off all gas to the water heater in the event of overheating.

**Note:** If experiencing frequent pilot outages during or just after use, first test the temperature limiter/ECO before replacing it. See Bulletin [CT-02 Ther mocouple and pilot test](#).

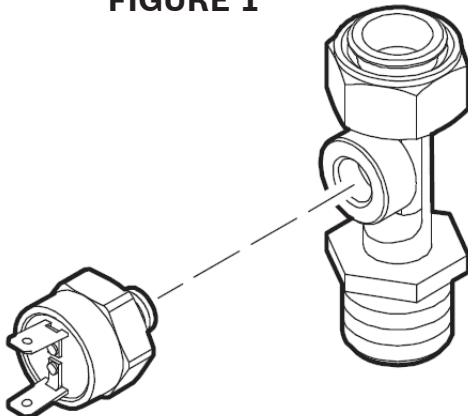
### Tools

Philips head screwdriver, pliers and 22mm or adjustable wrench

### Replacing lower ECO/temperature limiter (not included on model 1000P)

1. Close installer supplied cold water isolation valve to the water heater.
2. Locate the lower ECO on the ½" copper pipe exiting the bottom left side of the heat exchanger (See Fig. 1).
3. Using pliers, disconnect both spade connections to the ECO.
4. Using a 22mm or adjustable wrench, unscrew the ECO from the ½" copper pipe. Be careful not to overstrain the copper pipe.
5. Install new ECO and reconnect wires from electromagnet and flue gas sensor. Wire orientation/polarity does not matter when making this connection.
6. Turn on cold water supply and return the water heater to service.

**FIGURE 1**



### Replacing upper ECO/temperature limiter

1. Close installer supplied cold water isolation valve to the water heater.
2. Locate the upper ECO installed on the copper bend on the upper right side of the heat exchanger (Fig. 2)
3. Using pliers disconnect both spade wire connections to the ECO.
4. Remove Philips head screw from the ECO bracket.
5. Slide bracket and ECO away from the heat exchanger and separate the bracket from the ECO. Do not loose the bracket.
6. Insert new ECO into the bracket. If a new bracket is provided with the ECO, there is no need to reuse the old bracket.
7. Slide ECO and bracket onto the mounting of the heat exchanger. Heat exchanger mounting should reside between the ECO and bracket. (See Fig. 2)
8. Insert Philips head screw through ECO, heat exchanger mount and tighten into ECO bracket.
9. Reconnect wires from the flue gas sensor and the thermocouple to the ECO. Wire orientation/polarity does not matter when making this connection.
10. Turn on cold water supply and return water heater to service.

**FIGURE 2**

